



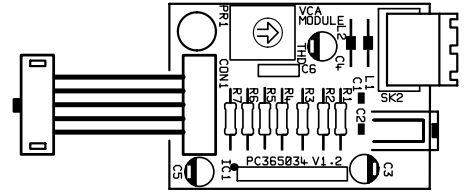
VCA-5 v2.0  
Installation Guide

**Cloud Electronics Limited**  
140 Staniforth Road, Sheffield, S9 3HF England  
Tel +44 (0) 114 244 7051  
Fax +44 (0) 114 242 5462  
E-mail [info@cloud.co.uk](mailto:info@cloud.co.uk)  
Web site <http://www.cloud.co.uk>

# VCA-5 Installation Guide

## 1 Introduction

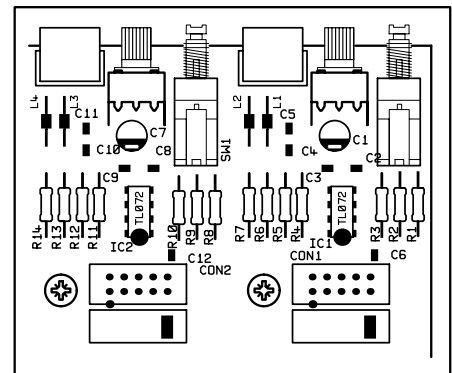
The VCA-5 is an optional module that fits inside the CX-A450 and CX-A850 to allow remote level control. The CX-A450 can accommodate up to four VCA-5 modules the CX-A850 can accommodate up to eight, one module for each channel.



## 2 Installation Information

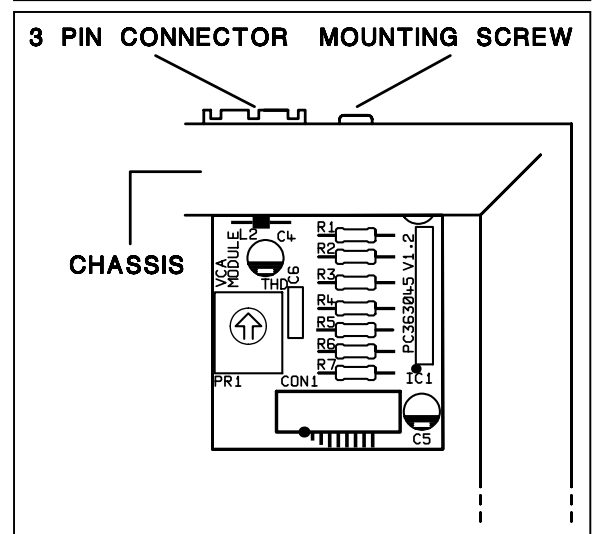
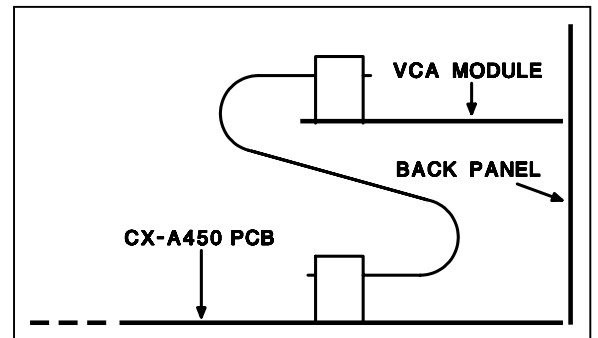
The VCA-5 is supplied with an M3 screw, 35mm M3 hex spacer and a 3-pin screw terminal plug. The modules plug into connectors on the input PCB towards the rear of the amplifier. The connectors are clearly marked as 'CON X' where 'X' is the channel number between 1 and 8 (see diagram and list below): -

- CON1** = Channel 1
- CON2** = Channel 2
- CON3** = Channel 3
- CON4** = Channel 4
- CON5** = Channel 5 (CX-A850 only)
- CON6** = Channel 6 (CX-A850 only)
- CON7** = Channel 7 (CX-A850 only)
- CON8** = Channel 8 (CX-A850 only)



## 3 Installation Instructions

1. Turn the power off and remove mains cable.
2. Remove the top panel
3. Locate required PCB mounted VCA connector and remove the jumper (see notes above)
4. Remove the relevant rear panel blanking plate
5. An M3 fixing screw can be found on the motherboard adjacent to the chosen VCA connector. Remove & retain this screw then fix the provided 35mm M3 hex spacer in its place.
6. Push the 10-way plug from the VCA module onto the PCB connector aligning the plug so the cable approaches it from the rear of the chassis (see diagram to the upper right), check the connector mates to all 10 pins.
7. Position the 3-pin socket of the VCA-5 through the cutout in the rear panel so that the hole in the VCA-5 circuit board aligns over the hex spacer
8. Secure the VCA-5 to the rear panel with the M3 screw provided (see diagram to the lower right).
9. Secure the VCA-5 to the hex spacer with the M3 screw that was removed from the PCB.
10. Fit the top panel.



If you have any further questions please contact our technical staff  
(Contact details on front cover)